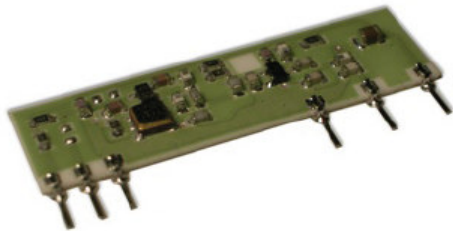




**ASK HIGH POWER DATA RADIO STE TX MODULE  
WITH SAW RESONATOR - 868 MHZ**



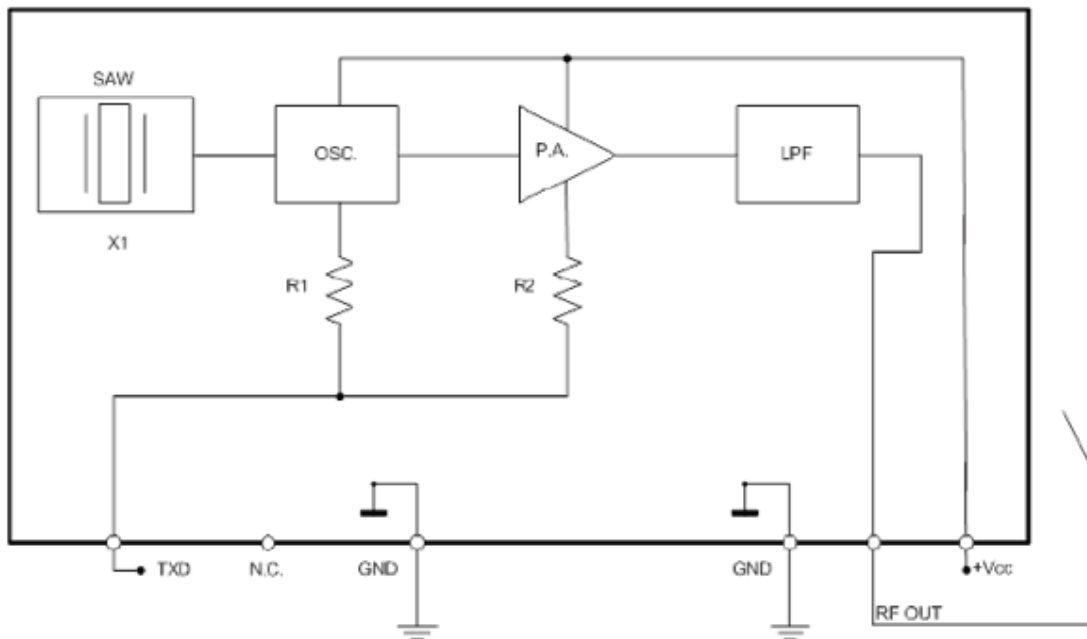
HYBRID TRANSMITTER
3-5 Vdc OPERATION
LOW CURRENT CONSUMPTION
-40 / +85° C TEMP. RANGE

**PERFORMANCE**

Frequency : 868,350 MHz  
Data rate (ASK modulation) : DC - 32 KHz  
Current : 18 mA @ 3V - 40 mA @ 5V  
Dimensions : 35,6 x 10,2 x 2 mm

Rf Power : 50mW @ 5V - 15mW @ 3V  
Dc supply : Min 2,4 V / Max 6,0 V  
Operating temperature : -40° / +85° C

**BLOCK DIAGRAM**





### MECHANICAL DIMENSIONS

