

8

7

6

5

4

3

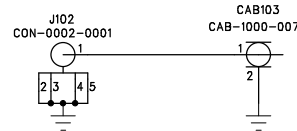
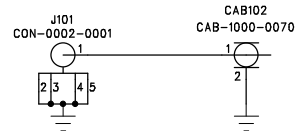
2

ECN #	ECO Description	AUTHORIZED BY	DATE	REV
	Initial Engineering Prototype	M.Medlin	6/24/03	1
	Audio Corrections	M.Medlin	9/4/03	2
	Initial Release	M.Medlin	9/10/03	A
	Second Release	D. Marten	11/18/03	B
	Added Power Control Section	M.Medlin	1/13/04	C

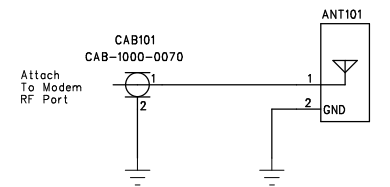
NOTES: UNLESS OTHERWISE SPECIFIED

1. ALL RESISTOR VALUES ARE IN OHMS.
2. ALL CAPACITOR VALUES ARE IN uF.
3. ALL INDUCTOR VALUES ARE IN uH.

Direct RF Connection



Antenna



- ~~FID1~~ FID1_RND FIDUCIAL
- ~~FID2~~ FID2_RND FIDUCIAL
- ~~FID3~~ FID3_RND FIDUCIAL
- ~~FID4~~ FID4_RND FIDUCIAL

CONFIDENTIAL

THIS DOCUMENT CONTAINS PROPRIETARY INFORMATION. NO PART OF THIS DOCUMENT MAY BE DISCLOSED TO UNAUTHORIZED PARTIES NOR MAY IT BE DUPLICATED BY ANY MEANS WITHOUT THE EXPRESSED WRITTEN CONSENT OF ENFORA WIRELESS.



DWG. BY M. Medlin	DATE 21/JUL/03	DWG. NO. SCHEMATIC, SDK, QUADBAND MODEM (ENABLER II-G SERIES)		
ENGR. APPROVAL	DATE	SIZE B	CAGE NO.	DWG. NO. SDK0107MG001SCH
MFG. APPROVAL	DATE	PRODUCT CODE: XXXX	SCALE: NONE	REV C
		SHEET: 1 of 5		

8

7

6

5

4

3

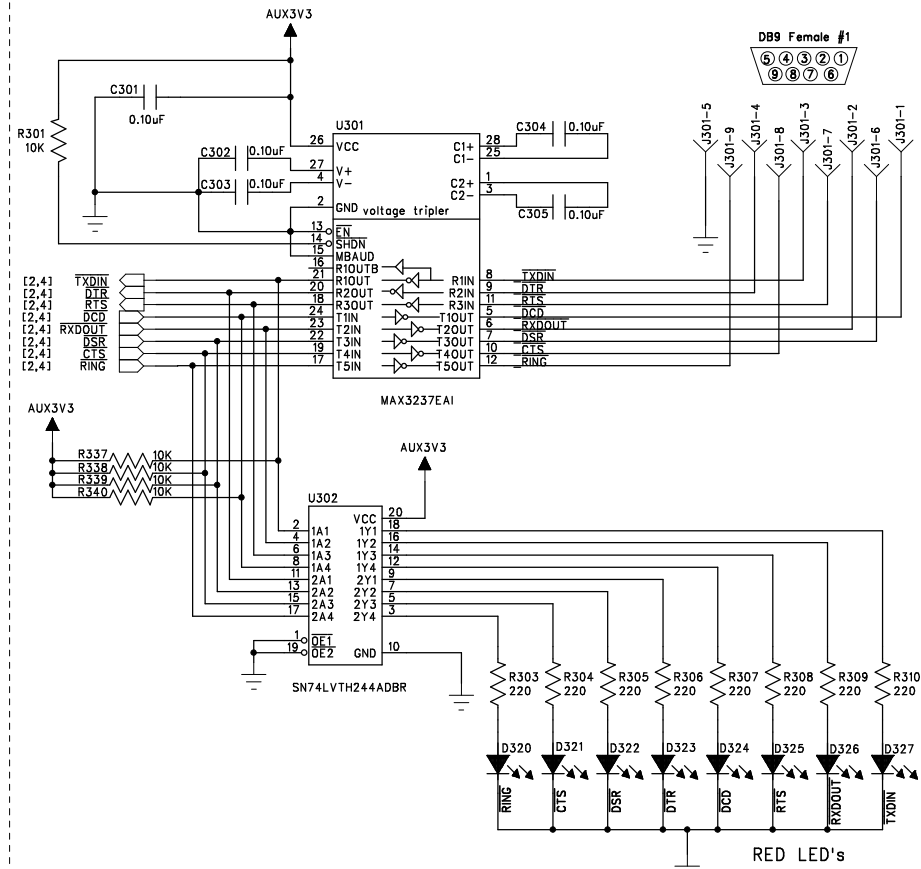
2

1

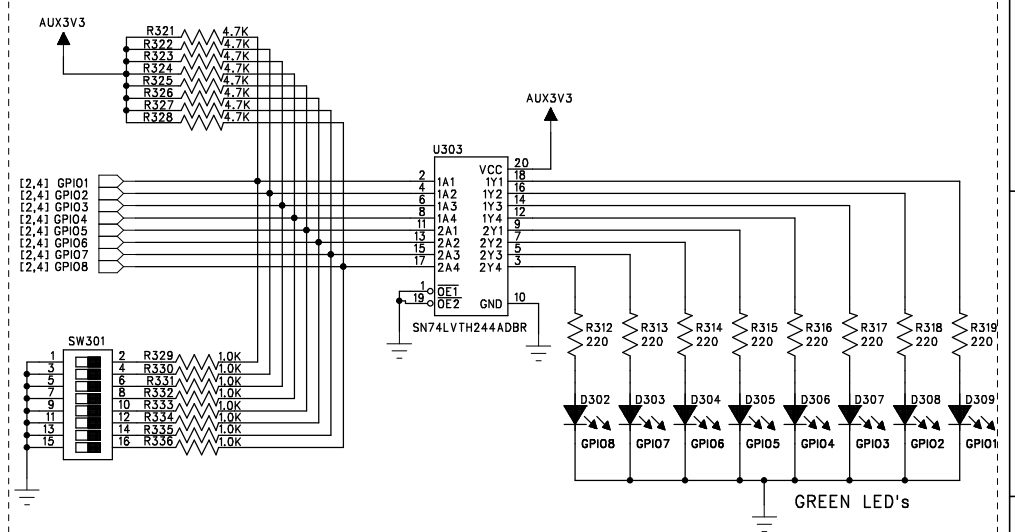
8 7 6 5 4 3 2 1

NOTES:

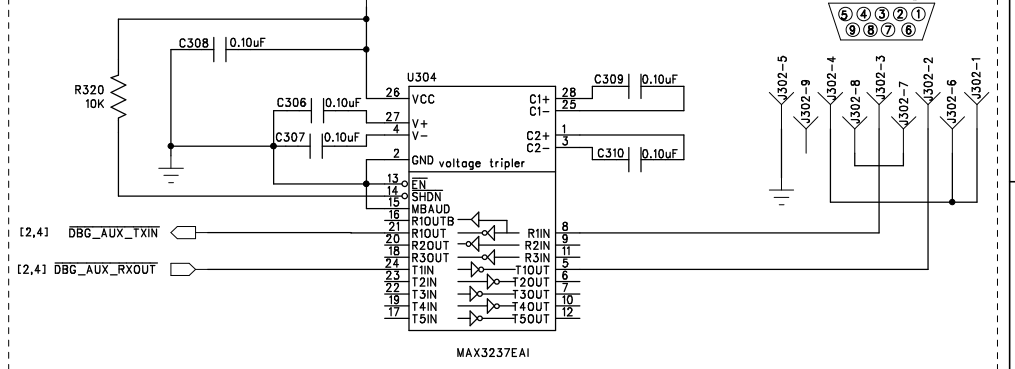
RS232 MODEM I/O



GPIO LED's



RS232 DEBUG I/O

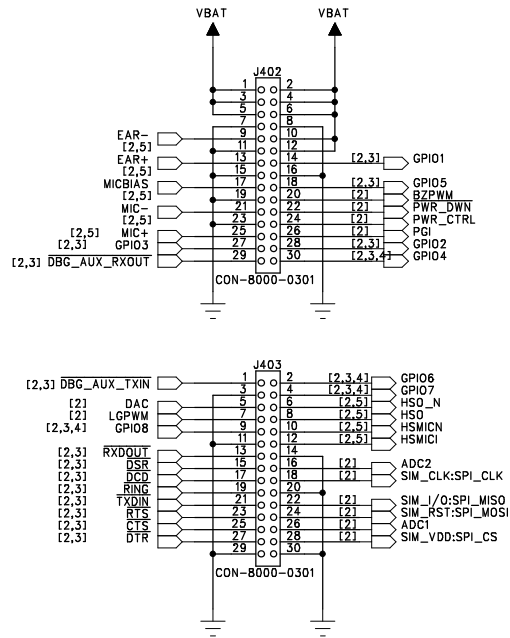


SIZE	DWG. NO.	REV
B	SDK0107MG001SCH	C
RELEASE DATE: x/xx/xx		SCALE: NONE SHEET: 3 of 5

8 7 6 5 4 3 2 1

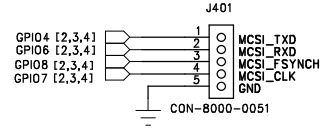
NOTES:

Debug Headers



J402 & J403 Standard 0.1" spaced header

MCSI

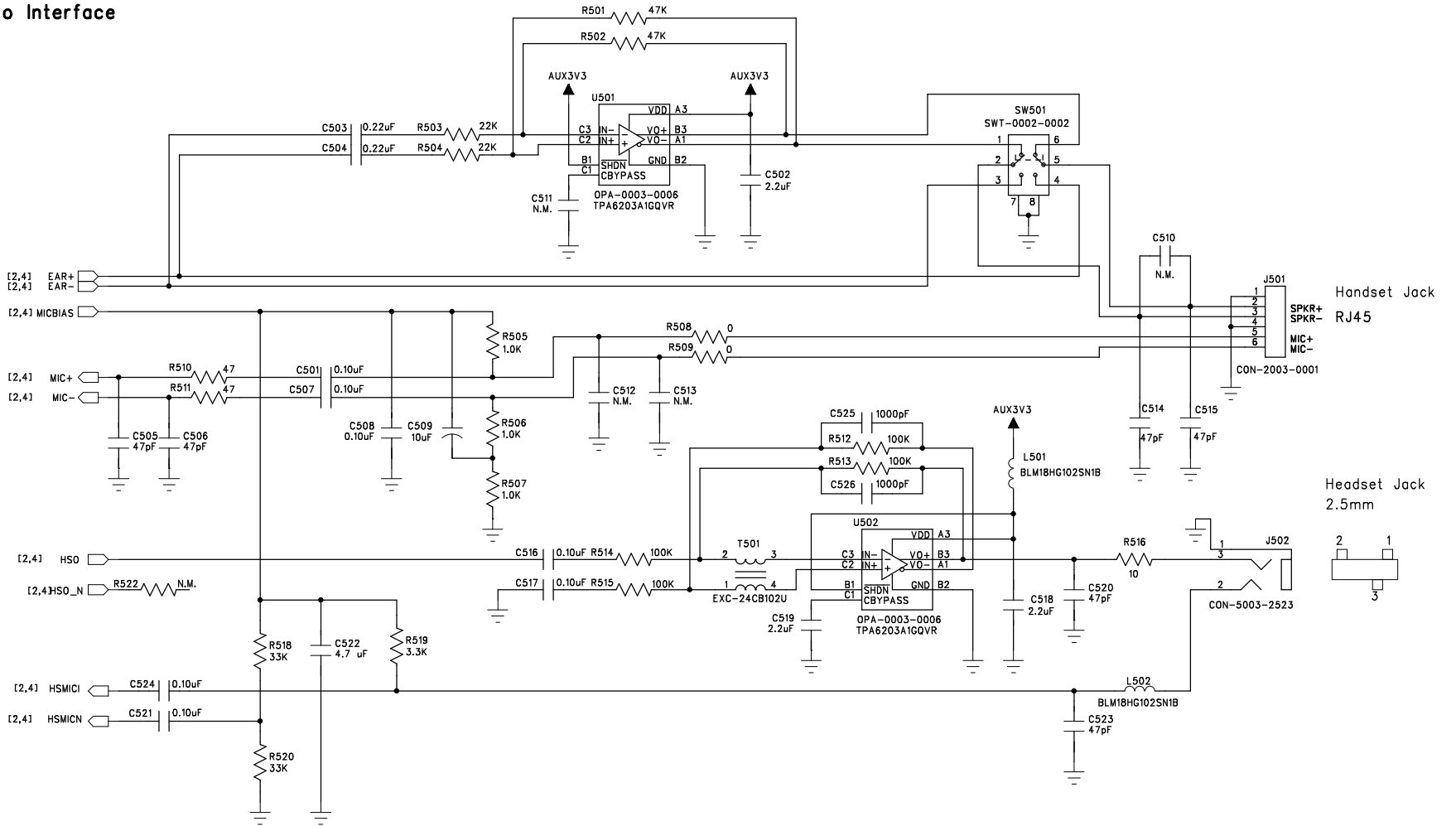


SIZE	DWG. NO.	REV
B	SDK0107MG001SCH	C
RELEASE DATE: x/xx/xx SCALE: NONE SHEET: 4 of 5		

8 | 7 | 6 | 5 | 4 | 3 | 2 | 1

NOTES: UNLESS OTHERWISE SPECIFIED

Audio Interface



SIZE	DWG. NO.	REV
B	SDK0107MG001SCH	C
RELEASE DATE: x/xx/xx		SCALE: NONE
SHEET: 5 of 5		

8 | 7 | 6 | 5 | 4 | 3 | 2 | 1